



# Türkiye

**WHERE INDUSTRY AND INNOVATION  
MEET  
TURKISH WELCOMING**



**HANNOVER MESSE  
2026**

Hannover - Germany  
20 - 24 April 2026



# ELEN

40<sup>th</sup>  
ELEN  
Year  
WITH INEXHAUSTIBLE ENERGY



# UPS SOLAR STORAGE BATTERY



We would be delighted to welcome you at our stand to explore our innovative power and energy solutions.

## Hall 012 / Stand E04

UPS / MODULAR UPS / HYBRID UPS / SERVER UPS / HYBRID INVERTER / GES / RES / IT PANEL / RECTIFIER / REGULATOR / BATTERY / TRANSFORMER / STATIC TRANSFER SWITCH / CABLING AND ELECTRONIC INSTALLATION / ACCESSORIES / COOLER / SERVER CABINET / ELECTRONIC CARD ASSEMBLY / SHOCK COIL / ENERGY MONITORING / ENERGY ANALYZER / MECHANICAL...



**ENELSystem™**  
100% Customer Service



**EUROBAT**   
EUROPEAN ASSOCIATION OF POWER SUPPLY MANUFACTURERS

# ISTANBUL CHAMBER OF COMMERCE

Since its foundation in 1882, Istanbul Chamber of Commerce has been the most effective and influential organization in the business climate of TÜRKİYE and represent currently more than 800.000 companies from all corners of business spectrum. ICOC has always been a pioneer in the development of business and trade in TÜRKİYE.



+90 444 0 486 | [ito.org.tr](http://ito.org.tr) | [in](https://www.linkedin.com/company/ito) [x](https://www.x.com/ito) [yt](https://www.youtube.com/channel/UC...) [f](https://www.facebook.com/ito) [@](https://www.instagram.com/ito) /itokurumsal

**Address:** Reşadiye Cad. 34112 Eminönü Fatih / İSTANBUL - TÜRKİYE

**Phone:** +90 212 455 60 00 **Fax:** +90 212 513 15 65 - 520 16 56 **Mail:** [ito@ito.org.tr](mailto:ito@ito.org.tr)

# LIST of EXHIBITORS

COMPANY NAME	PAGE
ARI DRONES TEKNOLOJİ SAN. VE TİC. LTD. ŞTİ. ....	27
ARMTEK ELEKTRİK SAN. VE TİC. A.Ş. ....	11
ASARTECH ARGE TASARIM MÜHENDİSLİK A.Ş. ....	27
ATCE ENERJİ OTOMASYON VE PANO İMALATI TAAH. PAZ. SAN. TİC. A.Ş. ....	11
BAŞOĞLU KABLO VE PROFİL SAN. VE TİC. A.Ş. ....	12
BOSPHORUS END. YAZILIM ÇÖZÜMLERİ VE DIŞ TİC. A.Ş. ....	28
BTM (COMMERCIALIZATION CENTER OF ISTANBUL) ....	7
COBRO ROBOT TEKNOLOJİLERİ OTOMASYON MÜHENDİSLİK MAKİNE İMALATI SAN. VE TİC. LTD. ŞTİ. ....	28
COŞKUN OTOMAT SAN. TİC. A.Ş. ....	35
DEKTA MÜHENDİSLİK ÇADIR BRANDA İNŞ. SAN. VE TİC. LTD. ŞTİ. ....	35
DEMAŞ MAKİNA YEDEK PARÇA SAN. VE TİC. LTD. ŞTİ. ....	36
DEMSAY ELEKTRONİK SAN. VE TİC. A.Ş. ....	29
DVINA ....	7
EDIT ELEKTRONİK SİSTEMLER SAN. VE TİC. LTD. ŞTİ. ....	12
EGE DİNAMİK MÜH. ELEKTROMEKANİK ENERJİ VE ROBOT SİS. SAN. VE TİC. A.Ş. ....	22
EĞİN ETİKET SAN. VE TİC. LTD. ŞTİ. ....	13
ENEL ENERJİ ELEKTRONİK SAN. VE TİC. A.Ş. ....	13
ENTEK TEKNİK MALZEME ENERJİ TEMS. SAN. VE TİC. A.Ş. ....	29
ENTES ELEKTRONİK CİHAZLAR İMALAT VE TİC. A.Ş. ....	14
EUROBOTİK OTOMASYON VE GÖRÜNTÜ İŞLEME TEK. SAN. VE TİC. LTD. ŞTİ. ....	22
EUROPHIA ELEKTRİK MALZ. SAN. VE TİC. LTD. ŞTİ. ....	14
EZT ELEKTRİK SAN. İML. VE TİC. LTD. ŞTİ. ....	15
FEGO ELEKTRİK SAN. VE TİC. A.Ş. ....	15
GRUP ARGE ENERJİ VE KONTROL SİSTEMLERİ SAN. VE TİC. LTD. ŞTİ. ....	16
HİD - TEK MAKİNA SAN. TİC. LTD. ŞTİ. ....	23
HYDROGENIX HYDROGEN AND ENERGY STORAGE TECHNOLOGIES INC. ....	16
ICOC TURKISH SUBCONTRACTING AND PARTNERSHIP EXCHANGE ....	23
İSTANBUL KİLİT SAN. VE TİC. A.Ş. (OSKAR) ....	17
KYS KÜRKÇÜOĞLU DÖK. RUL. YAT. VE OTOMOTİV SAN. TİC. LTD. ŞTİ. ....	36
LIBAL MAKİNA OTOMAT SAN. VE TİC. A.Ş. ....	24

MADENCAN ÇELİK PROFİL A.Ş.....	37
MAK ÇELİK A.Ş.....	37
MAKİM MAKİNA TEKNOLOJİLERİ SAN. VE TİC. A.Ş. ....	38
MAKİSAN MAKİNE İNŞAAT SAN. VE TİC. LTD. ŞTİ.....	38
MİS ENDÜSTRİYEL ÇÖZÜMLER OTOMASYON SAN. VE DIŞ TİC. A.Ş.....	30
MOTUS OTOMOTİV MAKİNA VE METALURJİ SAN. VE TİC. A.Ş. ....	39
NARAXR.....	30
NOYA DİJİTAL DÖNÜŞÜM TEKNOLOJİLERİ A.Ş. ....	31
ORTAÇLAR ELEKTRİK SAN. VE TİC. LTD. ŞTİ.....	17
ORTAKLAR HİDROLİK MAKİNA SAN. VE TİC. A.Ş.....	24
PEMAKS PNÖMATİK VE HİDROLİK SİLİNDİR SAN. VE TİC. İTH. İHR. LTD. ŞTİ.....	25
PİLOT LAZER METAL İŞLEME VE MAKİNE SAN. TİC. LTD. ŞTİ. ....	39
PODER BİLİŞİM TEKNOLOJİLERİ SAN. VE TİC. A.Ş. ....	8
SERVOMOTIONS ELEKTRİK MOTOR BAKIM TEKNOLOJİLERİ A.Ş. ....	31
SİMPA ELEKTRİK MALZEMESİ SAN. VE TİC. A.Ş. ....	18
SİSKON ENDÜSTRİYEL OTOMASYON SİSTEMLERİ SAN. VE TİC. A. Ş. ....	32
SOFTBOX ROBOTİK VE YAPAY ZEKA TEKNOLOJİLERİ A.Ş.....	8
SUPTEK YAĞ KEÇELERİ SAN. VE TİC. A.Ş. ....	25
TBLOC ELEKTRİK ELEKTRONİK SAN. VE TİC. A.Ş. ....	18
TEK TRANSFORMATÖR MAKİNA ELEKTRİK SAN. VE TİC. A.Ş. ....	19
TEKNOPARK İSTANBUL A.Ş.....	32
TERBAY MAKİNA ENDÜSTRİ VE TİC. A.Ş. ....	40
TESCOM ELEKTRONİK SAN. VE TİC. A.Ş. ....	19
THINK SIMPLE.....	9
TURAL-ERDENİZ MAK. SAN. VE TİC. LTD. ŞTİ.....	40
WIPELOT TEKNOLOJİ SAN. A.Ş. ....	33
YUSUF KABUKÇU NAK KABLO ELEKTRİK MALZEMELERİ İNŞ. İTH. İHR. SAN. VE TİC. LTD. ŞTİ.....	20



# Türkiye

## Hall 11

Research & Innovation  
Transfer – Startups



## BTM (COMMERCIALIZATION CENTER OF ISTANBUL)

**Address** : Fulya Mah. Yeşilçimen Sok. Polat Tower Bağımsız Bölüm No:12/430,  
34394 Şişli İstanbul / TÜRKİYE  
**Phone** : +90 212 522 35 62  
**e-Mail** : info@btm.istanbul  
**Web** : www.btm.istanbul  
**Contact Person** : Dr. Önder KUL

### Products

BTM, a new generation startup center, was established by the Istanbul Chamber of Commerce as a foundation in order to commercialize innovative business ideas. While ensuring that ideas become a business model in BTM; services such as training and seminars, mentor support, investor matching, demo day events, global offices, 24/7 office facilities, one-on-one consultancy are offered to entrepreneurs completely free of charge.



## DVINA

**Address** : Fulya, Yeşilçimen Sok. Bağımsız Bölüm 12/430, 34394 Şişli  
İstanbul / TÜRKİYE  
**Phone** : +1 844 440 20 23  
**e-Mail** : hi@dvina.ai - ali@dvina.ai  
**Web** : www.dvina.ai  
**Contact Person** : Ali GÜNDÜZ

### Products

Dvina Enterprise Platform, Dvina Code, Dvina Edge.

# PODER

H11 / B64 - 2

## PODER BİLİŞİM TEKNOLOJİLERİ SAN. VE TİC. A.Ş.

**Address** : Reşitpaşa Mah. Katar Cad. İtü Arı Teknokent 3 Binası No: 4  
İç Kapı No: B204, 34467 Sarıyer İstanbul / TÜRKİYE  
**Mobile** : +90 539 207 54 45  
**e-Mail** : hilal@poder.com.tr  
**Web** : www.poder.com.tr  
**Contact Person** : Hilal Kurt İRFANOĞLU

### Products

Poder Web / Poder App.



# GENRPA

H11 / B64 - 3

## SOFTBOX ROBOTİK VE YAPAY ZEKA TEKNOLOJİLERİ A.Ş.

**Address** : Çifte Havuzlar Mah. Eski Londra Asfaltı Cad. Kuluçka Mrk. A2 Blok  
No:151/1b İç Kapı No:Z06 Esenler İstanbul / TÜRKİYE  
**Mobile** : +90 544 789 70 36  
**e-Mail** : info@genrpa.com  
**Web** : www.genrpa.com  
**Contact Person** : Pınar ÖZEL DEMİR

### Products

Robotic Process Automation.



**think "simple"**

AiA - Your AI Assistant

H11 / B64 - 6

## THINK SIMPLE

**Address** : İkitelli OSB Mah. Metal İş San. Sit 12A Blok No: 8 Başakşehir  
İstanbul / TÜRKİYE  
**Mobile** : +90 555 010 63 68  
**e-Mail** : aia@think-simple.ai  
**Web** : www.think-simple.ai  
**Contact Person** : Canberk GÜVENKAYA

## Products

A 24/7 Multilingual AI Service For B2B Machinery Companies That Understands Issues From Text and Photos, Eliminating On-Site Technical Support While Reducing Costs, Response Time and Operational Inefficiencies.

---



# Türkiye

## Hall 12

Energy & Industrial  
Infrastructure





H12 / E04 - 12

## ARMTEK ELEKTRİK SAN. VE TİC. A.Ş.

**Address** : 100.Yıl Mah. İzci Sok. Ekin Apt. No: 24 İç Kapı No: 2 Çankaya  
Ankara / TÜRKİYE  
**Mobile** : +90 535 702 96 23  
**e-Mail** : gokhan.ekici@armtek.com.tr - sales@armtek.com.tr  
**Web** : www.armtek.com.tr  
**Contact Person** : Gökhan EKİCİ

## Products

Air-Insulated Metal-Enclosed Modular Switchgear, Metal-Clad Switchgear, Compact Substations, Mobile Distribution and Transformer Substations, Medium Voltage Components, SF6-Free MV Switchgear.



H12 / E04 - 15

## ATCE ENERJİ OTOMASYON VE PANO İMALATI TAAH. PAZ. SAN. TİC. A.Ş.

**Address** : Org. San. Bölgesi 2 Yol No:19 23300 Elazığ / TÜRKİYE  
**Mobile** : +90 532 737 23 38  
**e-Mail** : info@atceenerji.com - sersahin@atceenerji.com  
**Web** : www.atceenerji.com  
**Contact Person** : Semra ERŞAHİN, Selman ERKAN

## Products

Carries Out Electrical Board Manufacturing and Contracting.

Works in The Electricity Distribution and Transmission Sector With Experience in The Fields of Power Systems, Automation and Communication.

## BAŞOĞLU KABLO VE PROFİL SAN. VE TİC. A.Ş.

**Address** : İçerenköy Yolu Cad. Keyap San. Sit. E-2 Blok No.82 Yukarı Dudullu  
34775 Ümraniye İstanbul / TÜRKİYE  
**Phone** : +90 216 420 59 40  
**e-Mail** : riadh.yousfi@basoglu.com  
**Web** : www.basoglu.com  
**Contact Person** : Riadh YOUSFI

### Products

Cable, Wire Harness, Silicon Profile, Gasket, Signal Lamp.

## EDİT ELEKTRONİK SİSTEMLER SAN. VE TİC. LTD. ŞTİ.

**Address** : Meclis Mah. Ahmet Taner Kışlalı Cad. No:25 Sancaktepe  
İstanbul / TÜRKİYE  
**Phone** : +90 216 622 62 22  
**e-Mail** : edit@editelektronik.com.tr  
**Web** : www.editelektronik.com.tr  
**Contact Person** : Gamze AKTUĞ

### Products

Static Voltage Stabilizer, Multi-Master Parallel Voltage Stabilizer, Dynamic Voltage Restorer with Super-Capacitor, Bi-Directional Voltage Stabilizer, Industrial Type Battery Charger, Adjustable Voltage Source & Test Equipments, UPS & Inverters, Transformer & Reactors, Free-Standing Cabinets & Monoblock Cabinets, Rack Cabinets & Machine Consoles, Electrical Distribution Boards, Power Quality Solutions.

## EGİN ETİKET SAN. VE TİC. LTD. ŞTİ.

**Address** : Meclis Mah. Şener Sok. No:52 Sancaktepe İstanbul / TÜRKİYE  
**Phone** : +90 216 499 43 38  
**e-Mail** : egin@eginetiket.com.tr  
**Web** : www.eginetiket.com.tr  
**Contact Person** : Eray EGİN

## Products

Aluminium & Stainless Steel Name and Rating Plates, Polycarbonate & Polyester Labels, Screen Printing, UV Digital Printing & Laser Marking, Paper & Printing Press Materials.

---

# ELEN

Uninterruptible Power Supply

## ENEL ENERJİ ELEKTRONİK SAN. VE TİC. A.Ş.

**Address** : Çatalmeşe Mah. 181. Sok. No:40A Çekmeköy İstanbul / TÜRKİYE  
**Mobile** : +90 549 724 86 39  
**e-Mail** : info@enel.com.tr  
**Web** : www.enel.com.tr  
**Contact Person** : Ethem SERDAROĞLU

## Products

Uninterruptible Power Supply (UPS), Voltage Stabilizer, Static Transfer Switch ( STS), Rectifier/Battery Charger, Inverter, Hybrid Ups, Frequency Converter,Battery,Storage Systems.



H12 / E04 - 11

## ENTES ELEKTRONİK CİHAZLAR İMALAT VE TİC. A.Ş.

**Address** : 1. Cd. No:23, 34776 Dudullu Osb Ümraniye İstanbul / TÜRKİYE  
**Phone** : +90 216 313 01 10  
**e-Mail** : misgor@entes.com.tr  
**Web** : www.entes.eu  
**Contact Person** : Meltem İŞGÖR

### Products

ENS.CCT 10 30A Clamp Type Current Transformer, ENS.CYS 23 150/5 L.V Current Transformer, ENT.A100T 3000/5 L.V Current Transformer, ENT.AB 30/5 L.V Current Transformer, ENT.A65-OG 50/1 M.V Current Transformer, ENT.A20MN 250/5 L.V Mini Current Transformer, ENT.A100 2500/5 L.V Current Transformer, RGSR-20S Power Factor Controller with Graphic LCD, RGA-24S Power Factor Controller with Graphic LCD, RGI-12S 12Power Control Relay With Temp.Sensor with LCD, ENT.SRS3 400/0.25 3 Phase Shunt Reaktor, SR-30E 30KVAR Inductive Load Drivers , ENT.CXD-400-25 Three Phase Capacitor (416.46.1310E), ENT.KT-12-C11 L.V Contactor, SC-225S Static Contactor, MCB-30 Timer, MKS-03 Motor Protection Relay, AKC- Current Protection Relay, MCB-130 Timer, DTR-10-D Astronomical Time Relay with Double Contact, GKRC-03F Voltage Protection Relay, PS-722 Power Supply, SSRC-04P Liquid Level Control Relay, LLS-01 Liquid Level Electrode, MPR-47SE Electronic Network Analyzer with Ethernet Communication, MPR-16S-21-D Electronic Network Analyzer, EMR-53S Network Analyzer, ES-32L Active Energy Meter MID, ETMO-10 Gateway Modem, GEMO-10 2G Gateway Modem, ES3-80LS MID 3 Phase Energy Meter, EMK-01 Quality Analyzer, GKRC-22E Voltage Protection Relay with Display, EMM-04CS Multimeter, ENT SVG (Static VAR Generator), ENT AHF (Active Harmonic Filter).



H12 / E04 - 19

## EUROPHIA ELEKTRİK MALZ. SAN. VE TİC. LTD. ŞTİ.

**Address** : Barbaros Mah. Alzambak Sok. Varyap Meridian Sitesi A Blok No:2/233  
34746 Ataşehir İstanbul / TÜRKİYE  
**Phone** : +90 216 514 68 68  
**e-Mail** : sales@europhiaelektrik.com - export@europhiaelektrik.com  
**Web** : www.europhiaelektrik.com  
**Contact Person** : Hüseyin KONAR

### Products

Transformers (Oil,Dry, Distribution,Power) and its Accessories, Enclosures, Switchgears, Substations, Gensets, Lighting and all LV and MV Accessories such as ;ACB- ATS-MCCBs-Cts- Cut out Fuse.



H12 / E04 - 10

## EZT ELEKTRİK SAN. İML. VE TİC. LTD. ŞTİ.

**Address** : Dudullu OSB. 2. Cad. No.4 İstanbul / TÜRKİYE  
**Phone** : + 90 216 420 46 01  
**e-Mail** : info@esitelectric.com - yagmurmert@esitelectric.com  
**Web** : www.esitelectric.com  
**Contact Person** : Yağmur MERT

## Products

Current Transformers, Voltage Transformers, Insulators, Power Capacitors, Current Limiting Reactors.



H12 / E04 - 4

## FEGO ELEKTRİK SANAYİ VE TİCARET A.Ş.

**Address** : Kayapa Mah. Kadıpınarı Sok. No: 10 Nilüfer Bursa / TÜRKİYE  
**Phone** : +90 224 564 54 80  
**e-Mail** : info@fego.com.tr  
**Web** : www.fego.com.tr  
**Contact Person** : Erhan SESSİZOĞLU

## Products

Copper Busbars & Aluminium Busbars, Laminated Flexible Shunts (Press Welded & Riveted), Braided Shunts, Air Cooled Cables, Water Cooled Cables (EAF/LF/SAF Cables, Welding Cables, Kickless Cables), Secondary Circuits for EAF/LF/SAF Furnaces, Contact Systems for Galvanizing / Electroplating.

**GRUP ARGE ENERJİ VE KONTROL SİSTEMLERİ SAN. VE TİC. LTD. ŞTİ.**

**Address** : İkitelli OSB Mah. Çevre Blok 14 Sok. Telas No:1 Başakşehir  
İstanbul / TÜRKİYE  
**Phone** : +90 212 438 80 24  
**e-Mail** : export@gruparge.com  
**Web** : www.gruparge.com  
**Contact Person** : Şamil ÇELİK, Hüseyin OKUTAN, Mehmet ÖZEN

**Products**

Power Factor Controllers, Network Analyzers, Power Analyzers, Power Meters, Energy Meters, Multimeters, Thyristor Switches for Power Capacitors (TSC), Automated Meter Reading (AMR) Gateways and Software, Energy Management Software, Industrial Modbus Gateways, 4G IoT Gateway, LoRaWAN Solutions, Grid Monitoring Relays, Loss-of-Mains Relays, Earth Leakage Current Relays, Toroidal Transformers, Liquid Level Relays, Timer Relays, Astronomical Time Relays, Voltage Protection Relays, Phase Failure Relays, Optical Readers (IEC62056-21) for Electricity Meters, Automation Modules, Power Capacitors, Capacitor Contactors, Shunt Reactors, Harmonic Filter Reactors, LV Current Transformers.

**HYDROGENIX HYDROGEN AND ENERGY STORAGE TECHNOLOGIES INC.**

**Address** : Turgut Özal Bulv. No: 143 Sahilyolu, İdealtepe, 34841 Maltepe  
İstanbul / TÜRKİYE  
**Phone** : +90 216 417 00 82  
**Mobile** : +90 533 463 82 85  
**e-Mail** : ararslan@hydrogenix.com.tr - info@hydrogenix.com.tr  
**Web** : www.hydrogenix.com.tr  
**Contact Person** : Ali Rıza ARSLAN

**Products**

For all your green hydrogen projects, including your hydrogen transition initiative, we prepare feasibility reports, provide end-to-end consultancy, engineering and EPC+F services with our solution partners, who have big international experience in their field. We offer turnkey EPC+F plant installations, operations and maintenance services, all tailored to your needs.

# OSKAR®

H12 / E04 - 13

## İSTANBUL KİLİT SANAYİ VE TİCARET A.Ş. (OSKAR)

**Address** : Hastane Mah. Hadımköy İstanbul Cad. No: 3 Arnavutköy  
İstanbul / TÜRKİYE  
**Phone** : +90 212 549 81 09  
**e-Mail** : info@istanbulkilit.com  
**Web** : www.oskarlocks.com  
**Contact Person** : Aytaç DOĞAN

### Products

Swing Handle Locks, Quarter Turn Locks, Cam Locks, Cabinet Locks, Hinges, Miscellaneous Locks, Accessories for Electrical Panels.



H12 / E04 - 16

## ORTAÇLAR ELEKTRİK SAN. LTD. ŞTİ.

**Address** : Hadımköy Mah. İbni Sina Cad. No:9 Arnavutköy İstanbul / TÜRKİYE  
**Phone** : +90 212 858 19 00  
**e-Mail** : marketing@ortac.com.tr  
**Web** : www.ortac.com.tr  
**Contact Person** : Ömer DIVARCI

### Products

Plastic Cable Glands & Accessories, Metal Cable Glands & Accessories, Tacflex Plastic & Metal Spiral Conduits & Accessories, ORvent Ventilation Elements, Ex-proof Cable Glands & Accessories.

# Simpa®

H12 / E04 - 8

## SİMPA ELEKTRİK MALZEMESİ SAN. VE TİC. A.Ş.

**Address** : Des Sanayi Sitesi 105 Sok. B11 Blok No: 16 Yukarı Dudullu Ümraniye  
İstanbul / TÜRKİYE  
**Phone** : +90 216 415 38 97  
**e-Mail** : info@simpaelektrik.com.tr - f.tas@simpaelektrik.com.tr  
**Web** : www.simpaelektrik.com.tr  
**Contact Person** : Metin ERKİN, Aksel BAHADIR

### Products

Tubular Cable Lugs, Busbars, Butt Connectors, Cable Lug Crimping Tools, Cable Cutting Tools, Cable End Sleeves and Terminals.

# tbloc

H12 / E04 - 21

## TBLOC ELEKTRİK ELEKTRONİK SAN. VE TİC. A.Ş.

**Address** : 29 Ekim Mah. 10001 Sok. Ege Sığınak Apt. No: 50/4 Menemen  
İzmir / TÜRKİYE  
**Phone** : +90 232 833 26 96  
**e-Mail** : info@tbloc.com.tr  
**Web** : www.tbloc.com.tr  
**Contact Person** : Savaş YALÇIN, Uygur ERTEK

### Products

Screw Type Terminal Blocks, Push-in Terminal Blocks, Marking Systems, Mounting Rails, Plastic Cable Ties, Panel Type Slotted Wiring Ducts, Cable Lugs and Butt Terminals, Led Indicators and Buttons, PLC Relays and Industrial Relays, Laser Printer, Laser Marking Tag, Laser Panel Marking.



H12 / E04 - 1

## TEK TRANSFORMATÖR MAKİNA ELEKTRİK SAN. VE TİC. A.Ş.

**Address** : Alcı Mah. ASO 2-3 OSB, 2017. Cad. No: 4, Sincan Ankara / TÜRKİYE  
**Phone** : +90 312 396 40 02  
**e-Mail** : info@tektransformator.com  
**Web** : www.tektransformator.com  
**Contact Person** : Dielse INROGA

### Products

Oil Type Distribution Transformers.



H12 / E04 - 7

## TESCOM ELEKTRONİK SAN. VE TİC. A.Ş.

**Address** : Dudullu OSB Mah. 2.Cad. Fabrikalar Sit. No:7 Ümraniye  
İstanbul / TÜRKİYE  
**Phone** : +90 850 277 88 77  
**e-Mail** : info@tescom-ups.com  
**Web** : www.tescom-ups.com  
**Contact Person** : Deniz SAĞEL

### Products

Uninterruptible Power Supply (UPS), Static Transfer Switches, Static Voltage Regulators, Automatic Voltage Regulators, Medical Isolated Power Systems, Frequency Converters, Inverters, Rectifiers, Tescom Diesel Generators, Solar Products, Special Products, Batteries, Tescom Generator - UPS Communication Control Integration, Tescom Battery Monitoring System, Tescom Electric Vehicle Chargers.



H12 / E04 - 3

YUSUF KABUKÇU NAK KABLO ELEKTRİK MALZEMELERİ İNŞ. İTH. İHR. SAN. VE TİC. LTD. ŞTİ.

**Address** : Bozburun Mah. 7045 Sok. No: 9 20020 Merkezefendi  
Denizli / TÜRKİYE  
**Mobile** : +90 530 499 19 81  
**e-Mail** : nak@nakkablo.com  
**Web** : www.nakkablo.com  
**Contact Person** : Atahan CİLASİN

## Products

Solar Energy Cables, Harmonized PVC Cables, EV Charge Cables, Low Voltage Halogen Free Power Cables.



# Türkiye

## Hall 13

Automation  
Systems & Components



**Address** : 29 Ekim Mah. 10019 Sok. No: 4 İç Kapı No: 1 Menemen  
İzmir / TÜRKİYE  
**Phone** : +90 232 503 14 05  
**e-Mail** : info@aegeandynamics.com  
**Web** : www.aegeandynamics.com  
**Contact Person** : Cem ÇEVİRİM, Durmuş UYGUN

## Products

Drone Propulsion Systems (DM-G35, DM-G60, DM-G70, DM-G150, DM-S60, DM-S70, DM-S150), General Purpose PM Motors (1.5 kW 3500 rpm, 5 kW 2000 rpm, 25 kW 6000 rpm), Frameless Motor Series (49W, 50W Flat, 56 W, 100W, 200W, 275 W), Servo System Series (400W AC Servo, 750W AC Servo, 3.5W High Performance Servo, 10W High Performance Servo, 40W High Performance Servo, 150W High Performance Servo, 200W High Performance Servo, 920W High, Performance Servo, 1.5kW High Performance Servo).

# EUROBOTİK

Automation & Image Processing Technologies

**Address** : Tomtom Mah. İstiklal Cad. Turhol Han No: 189 İç Kapı No: 3 Beyoğlu  
İstanbul / TÜRKİYE  
**Faks** : +90 533 521 90 80  
**e-Mail** : serhat@eurobotik.com  
**Web** : www.eurobotik.com  
**Contact Person** : Serhat TANRIVERDİ

## Products

Robotic screwing system.



H13 / E01 - 1

## HİD - TEK MAKİNA SAN. TİC. LTD. ŞTİ.

**Address** : Üçevler Mah. Ünalp Sok. No:1/A Nilüfer Bursa / TÜRKİYE  
**Phone** : +90 224 443 16 20  
**e-Mail** : satis@hid-tek.com.tr - hid-tek@hid-tek.com.tr  
**Web** : www.hid-tek.com.tr  
**Contact Person** : Tunay SEVİNÇ

### Products

Winman Linear Module, Winman Linear Actuator, Winman Pneumatic Products and Automation Equipments.



**ISTANBUL  
CHAMBER OF  
COMMERCE** 1882

H13 / E01 - 5

## ICOC TURKISH SUBCONTRACTING AND PARTNERSHIP EXCHANGE

**Address** : Hobyar Mah. Reşadiye Cad. 34112 Eminönü İstanbul / TÜRKİYE  
**Phone** : +90 212 455 62 36  
**Mobile** : +90 530 166 11 63  
**e-Mail** : yansanayi@ito.org.tr  
**Web** : www.yansanayi.ito.org.tr  
**Contact Person** : Serap ALP ÖZARSLAN, Nagihan VATANSEVER

### Products

Turkish Subcontracting and Partnership Exchange (TSPX), operating under the Istanbul Chamber of Commerce, organizes free of charge and needs-based B2B meetings for main contractor companies and brings together Turkish subcontractor companies and buyers. TSPX database includes over 3,800 subcontractor companies producing in sectors such as composite, plastics, and metals.

## LIBAL MAKİNA OTOMAT SAN. VE TİC. A.Ş.

**Address** : 10041 Sok., No:15, A.O.S.B,35620 Çiğli, İzmir / TÜRKİYE  
**Phone** : +90 232 376 88 74 / +90 232 328 10 79  
**Mobile** : +90 533 639 68 93  
**e-Mail** : libal@libalmakina.com  
**Web** : www.libalmakina.com  
**Contact Person** : Koray TÜMENTÜMÜR

### Products

Spare Parts and Accessories for Machines And Mechanisms, Hydraulic Components for Tower Cranes and Lifting Equipment, and Special Components for The Production of Road Construction Complexes and Special Machines.

## ORTAKLAR

## ORTAKLAR HİDROLİK MAKİNA SAN. VE TİC. A.Ş.

**Address** : Balçık Mah. 3273. Sok. No:27 Gebze Kocaeli / TÜRKİYE  
**Phone** : +90 262 751 28 22  
**e-Mail** : selcukozden@ortaklar.com.tr  
**Web** : www.ortaklar.com.tr  
**Contact Person** : Selçuk ÖZDEN

### Products

Hydraulic Cylinders

**PEMAKS PNÖMATİK VE HİDROLİK SİLİNDİR SAN. VE TİC. İTH. İHR. LTD. ŞTİ.**

**Address** : Çerkeşli OSB Mah. İMES 10 Cad. A Blok, No:9, Dilovası  
Kocaeli / TÜRKİYE  
**Phone** : +90 262 503 30 00  
**Mobile** : +90 549 466 63 02  
**e-Mail** : pemaks@pemaks.com.tr - ey@pemaks.com.tr  
**Web** : www.pemaks.com.tr  
**Contact Person** : Eren YILMAZ, Hamdi DEMİR

**Products**

ISO15552 Cylinder, Round Cylinder, Compact Cylinder, Valve, Fittings, Air Treatment Units, Pneumatic Tubes, Electric Actuator, Guide Cylinder, Sensor, Valve Terminal, Vacuum Element, Proportional Regulator, Pressure Switch.

**SUPTEK YAĞ KEÇELERİ SAN. VE TİC. A.Ş.**

**Address** : Ferizli OSB Mah. 1. Cad. No: 17/2 54110 Ferizli Sakarya / TÜRKİYE  
**Phone** : +90 216 451 73 23  
**e-Mail** : sales@suptex.com  
**Web** : www.suptex.com  
**Contact Person** : Myo THANT

**Products**

Rotary Shaft Seals, Hydraulic Seals, Mixer Seals, Automotive Seals, Casset Seals, Washing Machine Seals, PTFE-Lips Seals, Penumatic Seals, Static Seals.



# Türkiye

## Hall 14

Industrial Software





H14 / L27 - 8

## ARI DRONES TEKNOLOJİ SANAYİ VE TİC. LTD. ŞTİ.

**Address** : Sanayi Mah. Teknopark Bulv. No: 1/4C İç Kapı No:112 PK 34906  
Pendik İstanbul / TÜRKİYE  
**Mobile** : +90 538 546 23 96 / +90 544 839 99 85  
**e-Mail** : info@aridrones.com  
**Web** : www.aridrones.com  
**Contact Person** : Adil Evren GÜNAY, Dođuhan Hazar CENGİZ

### Products

MARBEE v1, NDT Drone, MARBEE GCU, Drone Remote Controller, FiBo, Digital Handheld Freeboard Meter, Radar Level Meter, GTASS, Ship Tank Level Monitoring System, Ship Load Mate, Ship Load Master.



H14 / L27 - 3

## ASARTECH ARGE TASARIM MÜHENDİSLİK A.Ş.

**Address** : Sanayi Mah. Teknopark Bulv. Yeditepe Üniversitesi Arge Merkezi Blok  
No:1/7C İç Kapı No:306 34906 Pendik İstanbul / TÜRKİYE  
**Phone** : +90 216 514 57 97  
**e-Mail** : info@asartech.com.tr  
**Web** : www.asartech.com.tr  
**Contact Person** : Macit ERENŞOY

### Products

RF and MW Electronics Components and Modules in Narrowband and Wideband Applications: Single Band Filters, Multi Band Filters, Diplexers/Multiplexers, Ceramic Filters, RF Front End Units, Mixers, Up/Down Converters, Oscillators.



**BOSPHORUSISS**

**H14 / L27 - 1**

## **BOSPHORUS END. YAZILIM ÇÖZÜMLERİ VE DIŞ TİC. A.Ş.**

**Address** : Levent Mah. Zerrin Sok. No:5 Beşiktaş İstanbul / TÜRKİYE  
**Phone** : +90 212 284 04 84  
**e-Mail** : info@bosphorusiss.com  
**Web** : www.bosphorusiss.com  
**Contact Person** : Engin ÖZKARAGÖZ

### **Products**

DigiFact, Logifact, AEGIX.



**H14 / L27 - 14**

## **COBRO ROBOT TEKNOLOJİLERİ OTOMASYON MÜHENDİSLİK MAKİNE İMALATI SAN. VE TİC. LTD. ŞTİ.**

**Address** : Sanayi Mah. Teknopark Bulv. No:1/4C İç Kapı No:112 Pendik  
İstanbul / TÜRKİYE  
**Mobile** : +90 549 786 27 38  
**e-Mail** : info@cobro.com.tr  
**Web** : www.cobro.com.tr  
**Contact Person** : Erhan KUŞ

### **Products**

Robotic Automation Systems (Turnkey), Cobot Applications, Portable Palletizer, Cobro Flexible Feeder System, Packaging, Assembly & Testing, 2D/3D AI Vision, Bin Picking, Machine Tending, Palletizing and Depalletizing Lines.



H14 / L27 - 4

## DEMSAY ELEKTRONİK SAN. VE TİC. A.Ş.

**Address** : Sahil, Çayırılı Sok. No:2/1, 34520 Beylikdüzü İstanbul / TÜRKİYE  
**Phone** : +90 212 509 99 71  
**e-Mail** : info@demsay.com  
**Web** : www.demsay.com  
**Contact Person** : Onur İlyas YAVUZ

### Products

Demsay Elektronik A.Ş. is a technology company founded in Istanbul in 2014, specializing in electronic component supply, embedded system solutions and engineering services. With its R&D and manufacturing infrastructure in Istanbul, the company supports partners from concept to final product with hardware design, embedded software, IoT solutions and PCB assembly services.



H14 / L27 - 13

## ENTEK TEKNİK MALZEME ENERJİ TEMS. SAN. VE TİC. A.Ş.

**Address** : Girne Mah. Irmaklar Sok. No:72/13B 34852 Küçükyalı İş Merkezi  
Maltepe İstanbul / TÜRKİYE  
**Phone** : +90 216 459 86 60  
**e-Mail** : info@entektekNIK.com  
**Web** : www.entektekNIK.com  
**Contact Person** : Hasan TERZİOĞLU

### Products

ALARTE (Remote Landslide and Slope Movement Detection Device), MTSE (Fan Array Control System for HVAC), PROSIM (Process Simulator to Test and Calibrate Industrial Equipment), PAC 3000 (Process Automation Controller for Specialized PLC Applications).



**MIS OTOMASYON**  
WIRELESS INDUSTRIAL SOLUTIONS

H14 / L27 - 12

## MİS ENDÜSTRİYEL ÇÖZÜMLER OTOMASYON SAN. VE DİŐ TİC. A.Ő.

**Address** : Sanayi Mah. Teknopark Bulv. No: 1/4C 1. Kat İ Kapı No: 112  
Pendik İstanbul / TÜRKİYE  
**Phone** : +90 850 308 06 47  
**e-Mail** : info@mis-otomasyon.com.tr  
**Web** : www.mis-otomasyon.com.tr  
**Contact Person** : Mehmet AKYÜZ

### Products

MIS-PICK: AI-Powered 3D Vision for Precise and Flexible Robotic Picking, MIS-TOUCH: Intelligent Tactile Sensing for Safe and Adaptive Robotic Manipulation.

MIS-AGENT: An Autonomous AI Vision Agent That Understands, Decides, And Acts, MIS-AGRO: Smart Agricultural Robotics Driven By AI Vision and Autonomy.

# NaraXR

H14 / L27 - 2

## NaraXR

**Address** : Çanakkale Science Park, Çanakkale / TÜRKİYE  
**Phone** : +90 286 502 00 00  
**Mobile** : +90 501 182 88 17  
**e-Mail** : egeozen@nara.com.tr  
**Web** : www.nara.com.tr  
**Contact Person** : Faruk Ege ÖZEN

### Products

#### Nexarium

An industrial simulation platform for operator training and safety-focused workforce development. It currently includes Forklift and Reach Truck simulators with realistic physics, simulator cabins and performance analytics.

#### Upcoming Simulators

New modules in development include Overhead Crane and Slings & Rigging Simulators, with future expansion toward additional high-fidelity training solutions.

#### ScienceXR

A science center digital twin that allows users to experience science through immersive XR technologies in an interactive and engaging way.

## NOYA DİJİTAL DÖNÜŞÜM TEKNOLOJİLERİ A.Ş.

**Address** : Hamidiye Mah. Soğuksu Cad. No:5 Kat: 8 34408 Kağıthane  
İstanbul / TÜRKİYE  
**Phone** : +90 212 294 24 03  
**e-Mail** : info@noyatech.com  
**Web** : www.noyatech.com  
**Contact Person** : Furkan KEFELİ, Hakan EMECEN, Altuğ KARADERE

### Products

Panel PC, Industrial Box PC, Self Service Kiosk, Industrial Kiosk, Rugged Tablet, Rugged Notebook, Touch Screen Monitor, Ticket Vending Machine, POS, Quixelf, Edge AI.



## SERVOMOTIONS ELEKTRİK MOTOR BAKIM TEKNOLOJİLERİ A.Ş.

**Address** : Sanayi Mah. Teknopark Bulv. No:1/4C, Kurtköy, Pendik  
İstanbul / TÜRKİYE  
**Mobile** : +90 532 441 06 56 / +90 534 270 2056  
**e-Mail** : omer@servomotions.com - bilgi@servomotions.com  
**Web** : www.servomotions.com  
**Contact Person** : Ömer ÖZDEN

### Products

Synchronous Servo Motor Stator, Motor Status Tracking IOT Module.

**SISKON ENDÜSTRİYEL OTOMASYON SİSTEMLERİ SAN. VE TİC. A.Ş.**

**Address** : DEÜ Tinaztepe Yerleşkesi DEPARC Beta Binası No:202 Buca  
İzmir / TÜRKİYE  
**Phone** : +90 232 245 00 76  
**e-Mail** : sales@siskon.com.tr  
**Web** : www.siskon.com.tr  
**Contact Person** : Hüseyin ÖNGÖREN

**Products**

OnSuite, OnSuite Live, OnSuite Connect, OnSuite Forms, OnSuite CNC, OnSuite TMC, OnSuite Trace, OnSuite Optima, OnSuite Energy, OnSuite Green, OnSuite Sustain, OnSuite Analytics, OnSuite Integra, OnSuite Bridge, OnSuite Core.

**TEKNOPARK İSTANBUL A.Ş.**

**Address** : Teknopark İstanbul Genel Müdürlük, Sanayi Mah. Teknopark Bulvarı  
No: 1 / 9A Pendik İstanbul / TÜRKİYE  
**Phone** : +90 216 999 70 00  
**e-Mail** : info@teknoparkistanbul.com.tr  
**Web** : www.teknoparkistanbul.com.tr  
**Contact Person** : Mehmet Fatih ERGÜN

**Products**

Established in 2010 under the Presidency of the Republic of Türkiye Presidency of Defense Industries and the İstanbul Chamber of Commerce, Teknopark İstanbul supports the R&D activities of Turkish engineers and entrepreneurs as well as the proud companies of our country at international standards.

Teknopark İstanbul provides a dynamic environment for startups, entrepreneurs, and established companies across various industries such as defence, AI, biotechnology, energy, transportation, cyber security.

Teknopark İstanbul, which has become a globally recognized deep technology center in a short time with its leadership and vision in its sector, hosts + 550 companies, +5000 national projects and +10.000 R&D engineers as of 2025.



H14 / L27 - 7

## WIPELOT TEKNOLOJİ A.Ş.

**Address** : General Ali Rıza Gürcan Cad. Alparslan İş Merkezi No:27 Kat:7 D:25  
Merter İSTANBUL / TÜRKİYE  
**Phone** : +90 212 481 96 27 / +90 212 482 81 76  
**Mobile** : +90 531 720 73 36  
**e-Mail** : info@wipelot.com - korayyucel@wipelot.com  
**Web** : www.wipelot.com - www.wipelot.io  
**Contact Person** : Koray YÜCEL

## Products

- Lotus RTLS Software
  - ASSOS – Task Assignment & Tracking Software
  - Wipelot Fleet Tracking & Telematics System
  - Safezone – Collision Avoidance System
-



# Türkiye

## Hall 17

Industrial Supply & Engineering  
Solutions





**Coşkun Otomat A.Ş.**

H17 / B44 - 9

## COŞKUN OTOMAT SAN. TİC. A.Ş.

**Address** : Keresteciler Sitesi Fatih Cad. Mehmet Nesih Özmen Mah.  
Kayacık Sok. No:15/3 Güngören Merter İstanbul / TÜRKİYE  
**Phone** : +90 212 555 76 71  
**Fax** : +90 212 554 53 43  
**Mobile** : +90 532 244 71 05  
**e-Mail** : ycoskun@coskunotomat.com.tr  
**Web** : www.coskunotomat.com.tr  
**Contact Person** : Yunus COŞKUN

## Products

As Coskun Otomat celebrates its 50<sup>th</sup> anniversary, we produce precision **Turned & Milled Parts** on top-quality CNC machines based on our customer specific requirements.

Our company specializes in the production of spare parts for the automotive, aviation and machine industries, utilizing a wide range of machinery and experienced personnel.

Our company's quality activities are carried out within the scope of IATF 16949 & AS9100 quality management systems.



**DEKTA**  
MÜHENDİSLİK VE ÇADIR BRANDA

H14 / B44 - 11

## DEKTA MÜHENDİSLİK ÇADIR BRANDA İNŞ. SAN. VE TİC. LTD. ŞTİ.

**Address** : Bahçeşehir 2. Kısım Mah. Şehit Asteğmen Furkan Işık Bulv.  
Tual Bahçekent Sitesi A2 Blok Apt. No: 22 A2 / 29  
Başakşehir İstanbul / TÜRKİYE  
**Phone** : +90 212 486 27 90  
**e-Mail** : info@dekta.com.tr  
**Web** : www.dekta.com.tr  
**Contact Person** : Beyhan ŞAHİN

## Products

Defense & Aerospace: Tactical Deployment Tents, Aircraft/UAV Hangars (CPA Tent Systems).

Industrial Structures: Wide-Span Logistics Warehouses and Customs Area Warehouses.

Special Projects: Climate-Controlled Structures, Pneumatic (Inflatable) Membrane Systems.

## DEMAŞ MAKİNA YEDEK PARÇA SAN. VE TİC. LTD. ŞTİ.

**Address** : 9 Sok. No:12 K.O.S.B Ulucak Kemalpaşa İzmir / TÜRKİYE  
**Mobile** : +90 532 288 38 23  
**e-Mail** : melih@demasmakina.com  
**Web** : www.demasmakina.com  
**Contact Person** : Melih ÖZTÜRK

### Products

We are specialized in high-precision mechanical components tailored for demanding industries, including Semiconductor, Analytical, Medical, Packaging, Food Processing, and General Machinery. Our manufacturing excellence is driven by advanced 3-axis and 5-axis milling, alongside C-Y axis turning technologies. We work with a wide range of materials, including Aluminum, Stainless Steel, Steel alloys, and high-performance polymers. Every component undergoes rigorous quality control procedures to ensure uncompromising precision. We are dedicated to delivering excellence and reliability in every part, meeting the highest standards of our global partners.

## KYS KÜRKÇÜOĞLU DÖK. RUL. YAT. VE OTOMOTİV SAN. TİC. LTD. ŞTİ.

**Address** : Büyük Kayacık Mah. K.O.S.B. Kuddusi Cad. No:13 Selçuklu  
Konya / TÜRKİYE  
**Phone** : +90 332 342 10 64  
**e-Mail** : bilgi@kys.com.tr  
**Web** : www.kys.com.tr  
**Contact Person** : Aleyna KIRBUĞA

### Products

Taper Bushes , Pulleys (including Poly V and Timing Belt Pulleys, Couplings, Bolt-on Hubs, Flanges, Bearing Housing, Casting Parts.

## MADENCAN ÇELİK PROFİL A.Ş.

**Address** : Saray Mah. FSM Bulv. Yurt Sok. No: 315 C-B Kahramankazan  
Ankara / TÜRKİYE  
**Phone** : +90 312 815 30 06  
**Faks** : +90 537 528 47 21  
**e-Mail** : info@madencan.com - ilter@madencan.com  
**Web** : www.madencan.com  
**Contact Person** : İlter MADENCAN

## Products

Cold Drawn Profiles for Door and Security Systems, Machinery Industry, Automotive Industry, Rail Systems and Bearing Industry, Energy Industry, Textile Machinery, Agriculture Machinery, Linear Guide Industry, Heavy Equipment, Wood-working Machinery, Fire Arms Industry, Defense Industry, Aeronautics and Space Industry, Medical Industry.

## MAK ÇELİK A.Ş.

**Address** : Büyükkayacık Mah. 3. OSB, 7. Sok. No: 2/A 42160 Selçuklu Konya / TÜRKİYE  
**Phone** : +90 332 502 03 35  
**Mobile** : +90 506 807 03 35  
**e-Mail** : omar@makcelik.com.tr - export@makcelik.com.tr,  
info@makcelik.com.tr  
**Web** : www.makcelik.com - www.makcelik.com.tr  
**Contact Person** : Omar GIULAHMED

## Products

**Engineering, Fabrication & Installation** | Industrial & Petro-Chemical Plants: **High-Durability Structures**; Energy Infrastructure: **Biomass & Waste-to-Energy Facilities**; Data Center Steel Supports: **Specialized Structural Frameworks**; Commercial & Sports: **Malls & Sports Halls**; Agri-Livestock: **Poultry, Farm & Mill Buildings**; Storage & Logistics: **Silos & Warehouses**.

## MAKİM MAKİNA TEKNOLOJİLERİ SAN. VE TİC. A.Ş.

**Address** : HAB Ankara Uzay ve Havacılık İhtisas OSB, Saray OSB Mah. G5 Cad.  
No:4 06980 Kahramankazan Ankara / TÜRKİYE  
**Phone** : +90 312 267 00 79  
**e-Mail** : mkoc@makim.com.tr - emine.yilmaz@makim.com.tr  
makim@makim.com.tr  
**Web** : www.makim.com.tr  
**Contact Person** : Merve KOÇ

### Products

Medical & Orthopaedics, General Machinery, Automotive, Energy, Truck & Trailer, Defence, Shotguns-Firearms, Valves & Pumps, Food & Packaging.

## MAKİSAN MAKİNE İNŞAAT SAN. VE TİC. LTD. ŞTİ.

**Address** : Ramazanoğlu Mah. Şüheda Cad. No: 22 Pendik İstanbul / TÜRKİYE  
**Phone** : +90 216 378 78 28  
**e-Mail** : zelihakurt@makisanmakine.com.tr  
**Web** : www.makisanmakine.com.tr  
**Contact Person** : Zeliha KURT

### Products

Machining contract manufacturing- gear shafts- transmission group parts- engine parts- lift groups parts - tractor parts- automotive parts- transformer parts-lighting metal parts.



**MOTUS**<sup>MS</sup>

H17 / B44 - 2

**MOTUS OTOMOTİV MAKİNA VE METALURJİ SAN. VE TİC. A.Ş.**

**Address** : Konya OSB 9. Sok. NO:37, Selçuklu Konya / TÜRKİYE  
**Phone** : +90 332 239 20 00  
**e-Mail** : info@motuscompany.com  
**Web** : www.motuscompany.com  
**Contact Person** : Mehmet URAL

**Products**

Crankshaft, Ground Engaging Tools, Machined Parts, Casting Parts.



H17 / B44 - 12

**PILOT LAZER METAL İŞLEME VE MAKİNE SAN. TİC. LTD. ŞTİ.**

**Address** : Orta Mah. Maltepe Cad. Emintaş Akel İş Merkezi No: 10 2B - 1 Maltepe  
İstanbul / TÜRKİYE  
**Mobile** : +90 554 117 39 35  
**e-Mail** : info@pilotlazer.com  
**Web** : info@pilotlazer.com  
**Contact Person** : Tolga ÇÖPOĞLU

**Products**

Laser Cutting, CNC Sheet Bending, Sheet Metal Parts, Tube Cutting, Pipe Bending.



# TERBAY

MAKİNA ENDÜSTRİ VE TİCARET A.Ş.

H17 / B44 - 4

## TERBAY MAKİNA ENDÜSTRİ VE TİC. A.Ş.

**Address** : Ankara Cad. No:321 35042 Bornova İzmir / TÜRKİYE  
**Phone** : +90 232 478 25 25  
**Mobile** : +90 539 559 88 38  
**e-Mail** : analiz@terbay.com.tr - sema.taskinsoy@terbay.com  
**Web** : www.terbay.com.tr  
**Contact Person** : Sema TAŞKINSOY

## Products

Our product groups are upper and lower chassis, booms, linkage parts, hydraulic tanks, buckets, rops, rods, cabin parts and traverses. All drawings for serial production are provided by our customers. In design & engineering unit detail drawings are prepared for production departments. Furthermore co-design, co-development, tooling's, jigs and fixtures design and production are done in house.



MAKİNA SAN. & TİC.LTD.ŞTİ.

H17 / B44 - 6

## TURAL-ERDENİZ MAK. SAN. VE TİC. LTD. ŞTİ.

**Address** : Osmangazi Mah. 2632. Sok. No: 4, 34522, Esenyurt  
İstanbul / TÜRKİYE  
**Phone** : +90 212 485 20 82  
**Mobile** : +90 533 213 20 90  
**e-Mail** : bus.dev@turalerdeniz.com  
**Web** : www.turalerdeniz.com  
**Contact Person** : Bayram YILDIRIM

## Products

Precise Machined Spare Parts, Assembled Units, Cast, Forged, Welded and Machined/ Turned Parts/Components. HVOF Coating. Drums & Rolls. Shafts, Rotors, Hubs. Gears, Gear Boxes. CNC Milling, CNC Bohrerwerk, Boring, CNC Lathe, CNC Vertical Lathe, Large Size Components. Drums / Rolls /Shafts For Print, Steel, Galvanizing Line, Mine, Wire & Tube, Oil & Energy Industries.





# Türkiye

## HANNOVER MESSE 2026

Advertisements





**HYDROGEN TIME**  
**ONE STOP SHOP**  
for  
**NET ZERO CARBON**

01

**DECARBONIZATION and EFFICIENCY**

Decarbonization and energy efficiency roadmap for industrial and residential facilities

02

**HYDROGEN TRANSMISSION**

Hydrogen transmission and consultancy, feasibility studies and project design

03

**GREEN HYDROGEN PRODUCTIONS**

Hydrogen production based on renewable energy sources

04

**R&D and SYSTEM INTEGRATION**

Hydrogen systems integration (EPC) and maintenance



Turgut Özal Bulvarı No:143 Sahilyolu  
İdealtepe 34841 Maltepe/İstanbul/TURKEY  
+90 533 463 82 85 +90 216 417 00 82  
info@hydrogenix.com.tr  
www.hydrogenix.com.tr





[www.esitelectric.com](http://www.esitelectric.com)

**EZT ELEKTRİK SANAYİ İMALAT ve TİC. LTD. ŞTİ.**

Dudullu Org. San. Bolg. 2.Cadde No:4, Umraniye - İstanbul / Turkey

**Tel/Phone:** +90 216 420 46 01 **Faks/Fax:** +90 216 420 46 04

**e-mail:** [info@esitelectric.com](mailto:info@esitelectric.com) **web:** [www.esitelectric.com](http://www.esitelectric.com)



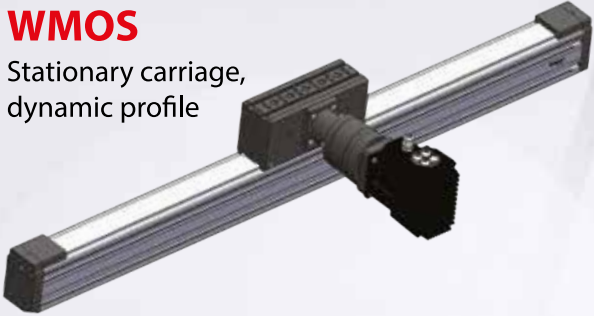
**Ölçü Transformatörleri**  
Instrument Transformers

e<sup>it</sup>

# LINEAR MODULE MOTION SOLUTION

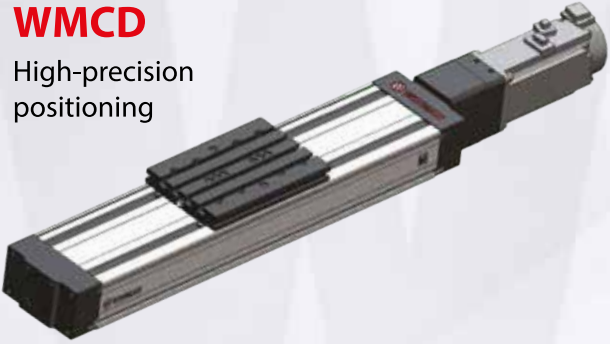
## WMOS

Stationary carriage,  
dynamic profile



## WMCD

High-precision  
positioning



## WMCS

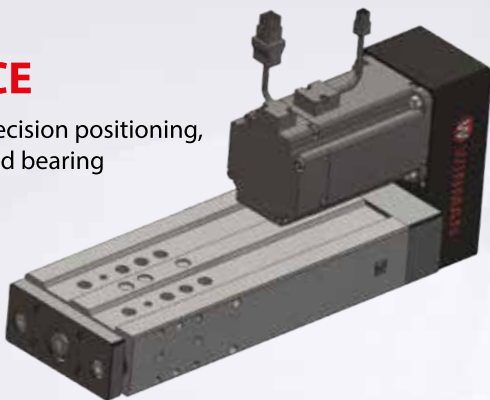
High-speed,  
positioning



# LINEAR ACTUATOR TECHNOLOGIES

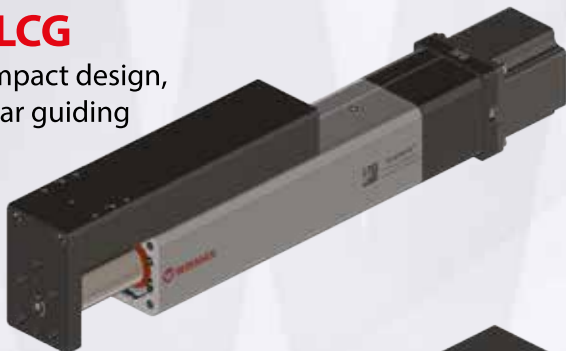
## WGCE

High-precision positioning,  
guide rod bearing



## WLCG

Compact design,  
linear guiding



## WLA4

High-precision positioning,  
ISO standard connection



# PODER

*WhatsApp knows nothing about space. Your camera roll knows nothing about projects. The voice recorder knows nothing about rooms. There we are, a family of three, huddled over files and a desktop, building context from fragments. Matching timestamps to floor plans, voices to locations.*



**NO MORE  
PENALTIES  
ON SITE!**



Zone A  
Concrete Pour  
94% Complete

Column 2  
Steel Installation  
72% Complete

Column 12  
Steel Installation  
72% Complete

1

Capture

2

Define/Classify

3

Analyse

4

Report



Start from here;



**Hall: 011 IT003**

**Stand No: B64**



**HANNOVER  
MESSE**



# Reliable Power Limitless Energy!

High Quality Engineering and  
Validated by **Global Standards**

Export experience to  
over **50 countries**  
across **3 continents...**

Project-specific  
production processes  
with **on-time delivery**

Don't leave your business to chance  
with our **worldwide after-sales**  
**technical support.**



[tektransformator.com](http://tektransformator.com)

[info@tektransformator.com](mailto:info@tektransformator.com)



# Sustainable Production & Project-Specific Solutions

## Green Production —

Produced with 100% Solar Energy for a zero-carbon future.  
We don't just power the grid; we protect the planet.

## — Continuous Improvement

Processes shaped by your feedback. We listen, adapt and improve to provide solutions that perfectly match your needs.

Let's Build the  
**Future of Energy  
Together.**



[tektransformator.com](https://tektransformator.com)

[info@tektransformator.com](mailto:info@tektransformator.com)

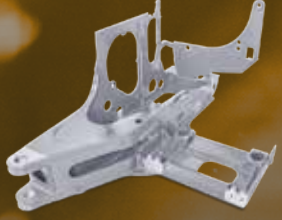
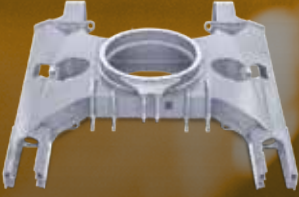


# TERBAY

MAKİNA ENDÜSTRİ VE TİCARET A.Ş.

# 70 YEARS

LEADING OEM FOR CONSTRUCTION & EARTHMOVING MACHINERY,  
MINING MACHINERY, AGRICULTURAL VEHICLES AND  
COMMERCIAL VEHICLES



📍 Ankara Cad. No:321 Bornova 35042 İzmir/TÜRKİYE

☎ +90 (232) 478 25 25

✉ analiz@terbay.com.tr | terbay@terbay.com.tr

🌐 www.terbay.com.tr

# 70+ YEARS OF

EXPERIENCE  
TRUST  
OEM QUALITY

Heavy Construction Equipment | Railway Sector  
Agricultural Vehicles | Commercial Vehicles



## TERBAY

MAKİNA ENDÜSTRİ VE TİCARET A.Ş.

Explore our  
advanced  
solutions.

[terbay.com.tr/en](https://terbay.com.tr/en)





The Technology Surrounding the World

Strong and anti-rodent coating

Flexible insulation

High conductive copper with corrosion protection



Anti-Rodent



High conductivity



Effective in 4 seasons



Flexible insulation



H1Z2Z2-K  
Photovoltaic  
Solar Cables

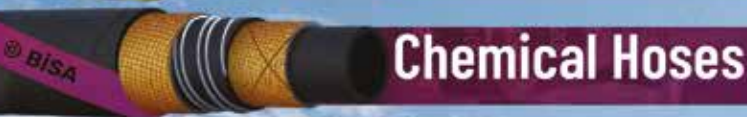


## The Technology Surrounding the World

With a broad product portfolio and a deep respect for nature, Nak Kablo has been powering reliable connections for years.

[www.nakkablo.com](http://www.nakkablo.com)





+90 538 411 2472

[www.bisahose.com](http://www.bisahose.com)

[info@bishose.com](mailto:info@bishose.com)  
[export@bishose.com](mailto:export@bishose.com)

Turunçlu St. Erzin OSB Hatay/ TÜRKİYE 